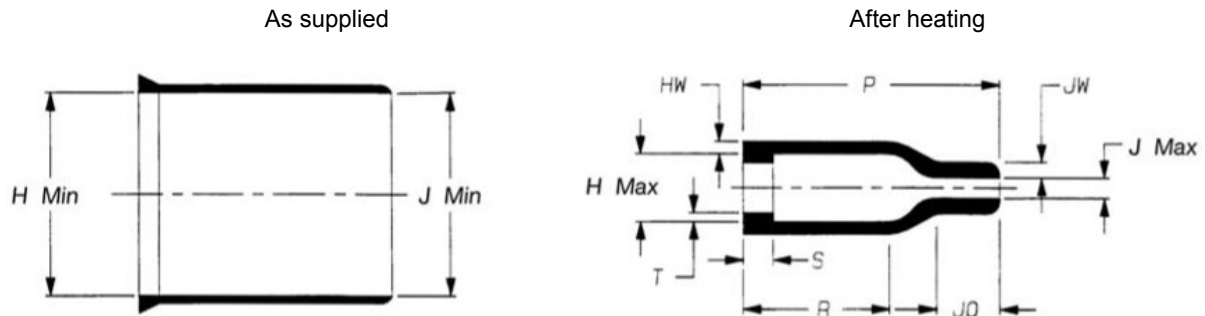


## Micro Moulded Parts, 202A111-25-G07-0 (straight, lipped)

These micro moulded parts or heat shrink boots from TE Connectivity (Raychem / Tyco) are used for mechanical protection and cable strain relief. Produced in a variety of shapes and materials, the range of Raychem branded moulded shapes are supplied in an expanded form. On the application of heat, they shrink to a pre-determined size and shape, providing a tough, protective covering for the components over which they are installed. These moulded parts are with or without coating available.



### Dimensions in mm

Part Number	Inside diameter (coating reduces Ø max. 1.5mm)				P	R	S	T	JO	HW	JW
	As supplied		After heating								
	H	J	H	J							
202A111-25-G07-0	17	17	7.9	2.2	25	14	3.0	1.0	6.0	1.7	1.0

### Material (not all combinations available)

Ordering Code	Material	Operating temperature range
-3	Polyolefin, semi-rigid	-55°C to +135°C
-4	Polyolefin, flexible	-55°C to +135°C
-12	Fluoroelastomer, flexible	-55°C to +200°C
-25	Elastomer, fluid resistant	-75°C to +150°C
-100	Polyolefin, halogen free	-30°C to +105°C

### Coating, Adhesive

Ordering code	Material	Operating temperature range
/42	Polyamide, hot-melt	-20°C to +60°C
/86	High performance, hot-melt	-55°C to +120°C
/225	Epoxy/Polyamide	-75°C to +150°C

### Colour

Ordering Code	Colour
-0	Black